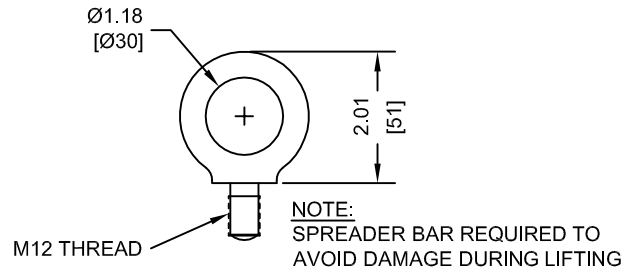


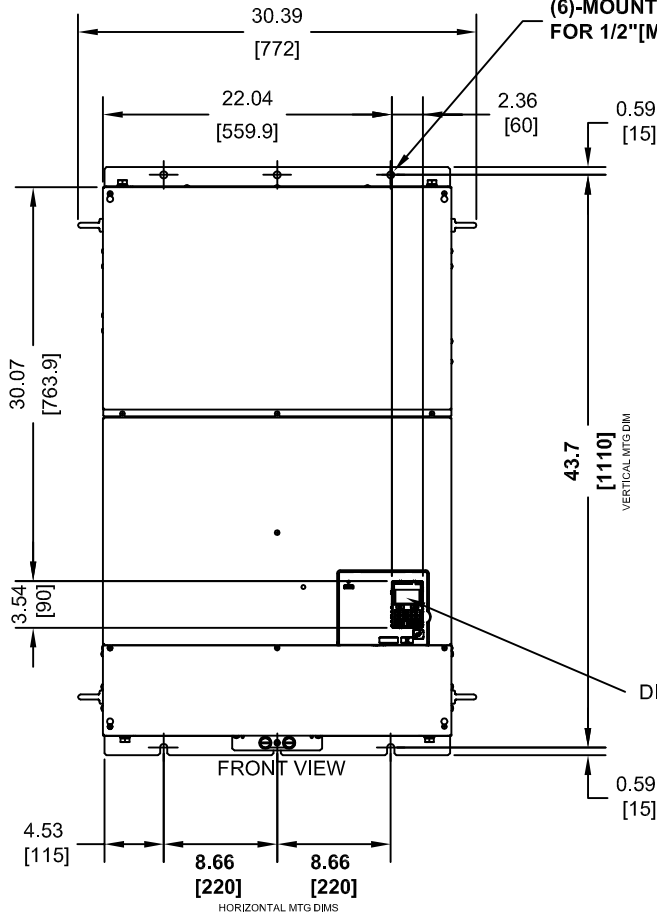
(3) EXTERNAL COOLING FANS



LIFTING AND EYEBOLT DETAILS

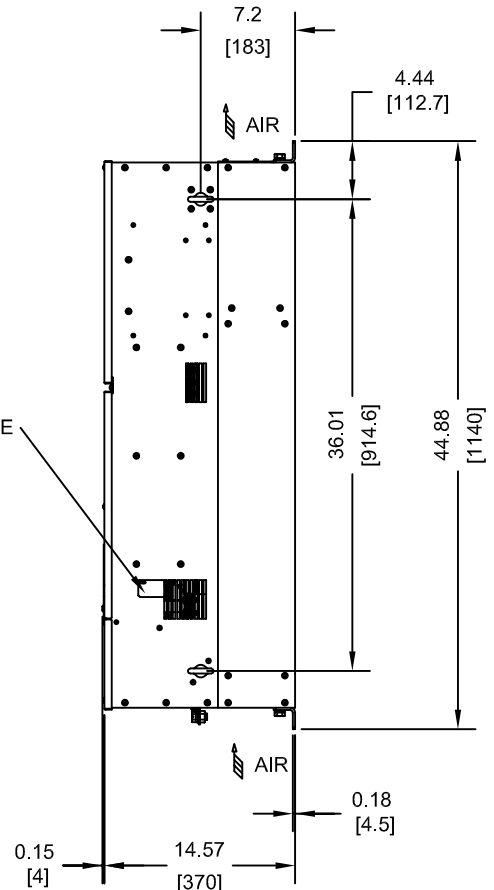


(6)-MOUNTING HOLES FOR 1/2" [M12] SCREWS



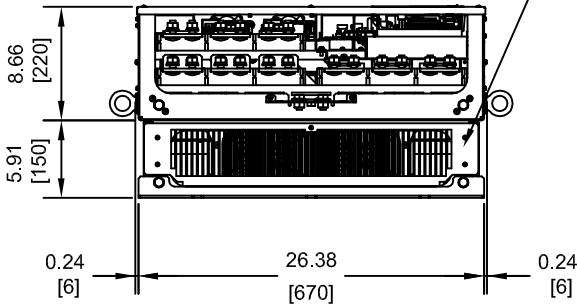
NAMEPLATE

DIGITAL OPERATOR



OPTIONAL CAPACITOR COVER

WHEN USING AN EXTERNAL MOUNT HEATSINK, UL COMPLIANCE REQUIRES COVERING EXPOSED CAPACITORS IN THE MAIN CIRCUIT TO PREVENT INJURY. CONSULT MANUAL FOR DETAILS.



| MODEL # CIMR-AU | VOLTAGE THREE-PHASE (VAC) | OUTPUT CURRENT (A) | | WEIGHT LBS (Kg) | HEAT LOSS (W) | | | | | |
|--------------------|---------------------------------|-----------------------|-----|--------------------|---------------|------|------|--------------|------|------|
| | | | | | ND (Fc=2kHz) | | | HD (Fc=2kHz) | | |
| | | ND | HD | | INT | EXT | TOT | INT | EXT | TOT |
| 4A0515AXX | 380/480 | 515 | 450 | 475 (216) | 1668 | 4850 | 6518 | 1386 | 3972 | 5358 |
| 4A0675AXX | | 675 | 605 | 486 (221) | 2037 | 4861 | 6898 | 1685 | 4191 | 5875 |

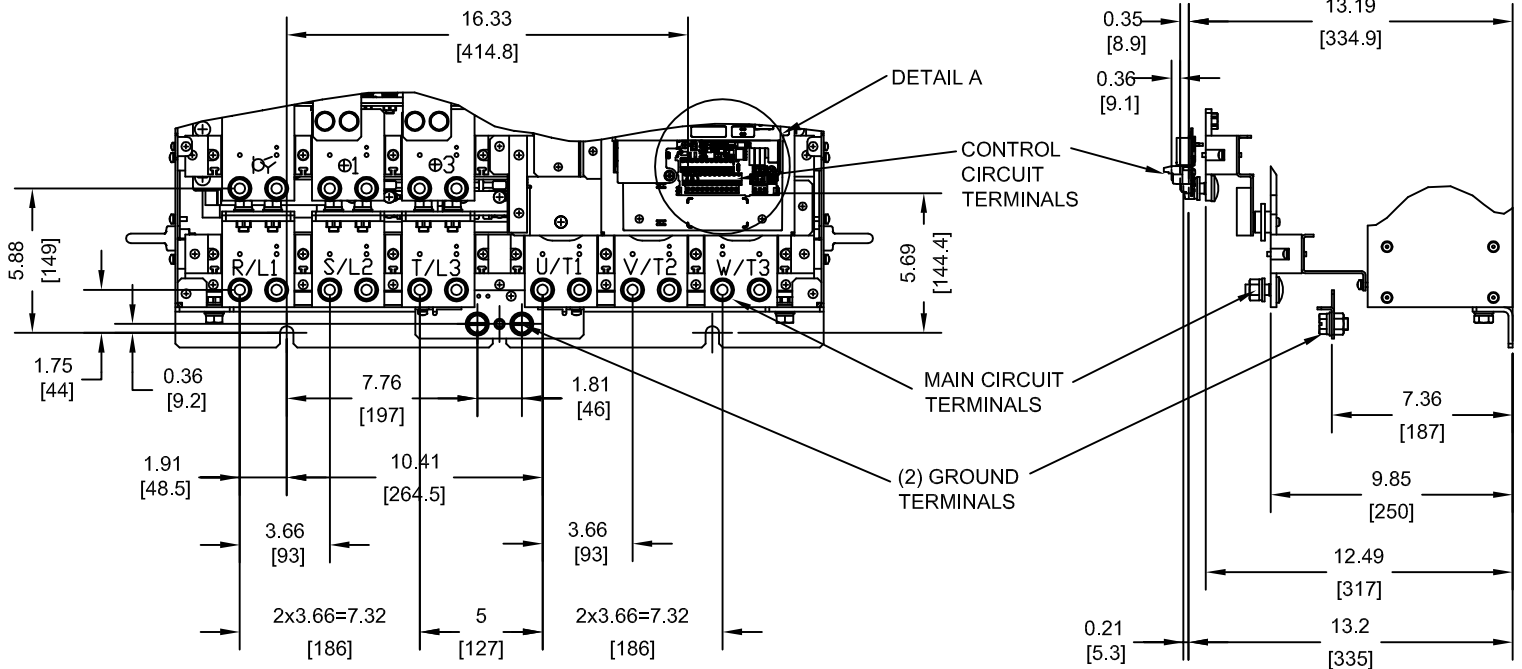
NOTES:
XX DENOTES AA-ZZ

INT=INTERNAL COMPONENTS
EXT=EXTERNAL HEATSINK
TOT=TOTAL

FOR ADDITIONAL DETAILS AND SPECIFICATIONS, CONSULT MANUAL

| | | | | | | |
|--------------------------|--|---|-----------------------|---------------------------|---|------------------|
| TOLERANCES / REFERENCES: | | <p>THIS DOCUMENT AND INFORMATION CONTAINED IN IT ARE CONFIDENTIAL, AND CANNOT BE COPIED OR DISCLOSED IN WHOLE OR IN PART WITHOUT THE EXPRESS WRITTEN CONSENT OF YASKAWA AMERICA, INC.</p> | DRAWN: J. MATTAS | DATE: 10-12-10 | TITLE: A1000 DIMENSION DRAWING FRAME SIZE 14 IP00 ENCLOSURE 4A0515 AND 4A0675 | |
| UNITS: IN [mm] | | | SCALE: 1:15 | CHECKED: J. PIOTROWSKI | DATE: 12-14-10 | SIZE: A |
| | | | | TECH: J. CAIRO | DATE: 12-19-10 | REVISION: R00 |
| | | | | APPROVED: T. SASADA | DATE: 12-21-10 | PAGE: 1 of 3 |
| | | | ORIGINAL DESIGN: - | DATE: - | DRAWING #: DD.A1K.FR14.IP00 | |

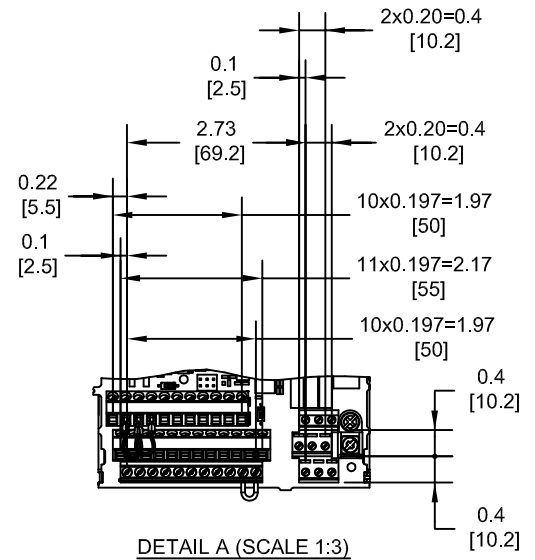
TERMINAL AND WIRING DETAILS (SCALE 1:8)



TERMINAL AND WIRE SPECIFICATIONS FOR MAIN CIRCUIT AND GROUND

| MODEL # CIMR-AU | TERMINAL SYMBOL | TERMINAL SCREW | CLAMPING TORQUE lb.in.(N.m.) |
|--------------------|------------------|----------------|---------------------------------|
| 4A0515 4A0675 | R/L1, S/L2, T/L3 | M12 | 283.2 TO 354.0 (32 TO 40) |
| | U/T1, V/T2, W/T3 | | |
| | ⊖, ⊕1 | | |
| | ⊕3 | | |
| | ⊕ | | |

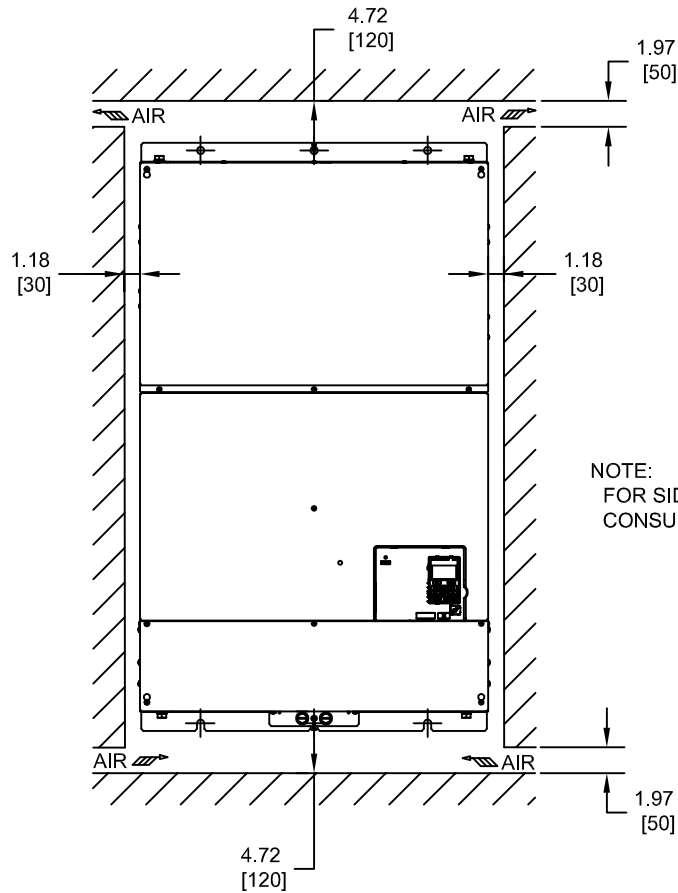
NOTE: REFER TO APPLICABLE CODES FOR PROPER WIRE TYPE AND SIZE



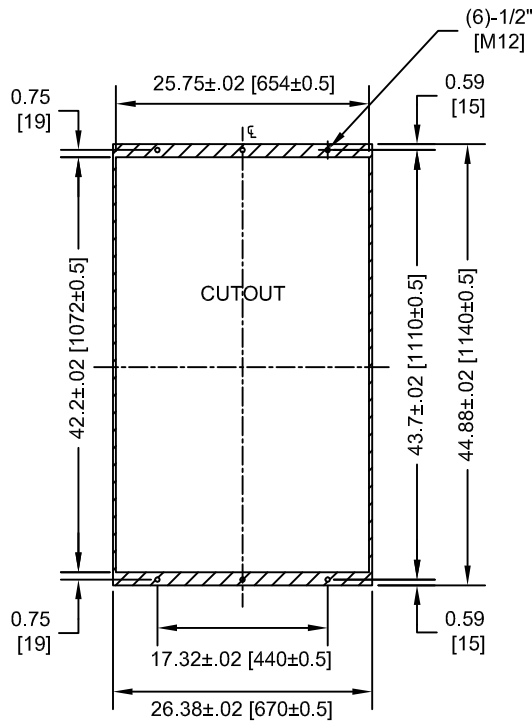
FOR ADDITIONAL DETAILS AND SPECIFICATIONS, CONSULT MANUAL

| | | | | | | | |
|--|--|--|------------------------|---------------------------|-----------------------------------|--|-----------------|
| TOLERANCES / REFERENCES: | | | DRAWN: J. MATTAS | DATE: 10-12-10 | TITLE: A1000 DIMENSION DRAWING | | |
| UNITS: IN [mm] | | | SCALE: BY VIEW | CHECKED: J. PIOTROWSKI | DATE: 12-14-10 | FRAME SIZE 14 IP00 ENCLOSURE 4A0515 AND 4A0675 | |
| THIS DOCUMENT AND INFORMATION CONTAINED IN IT ARE CONFIDENTIAL, AND CANNOT BE COPIED OR DISCLOSED IN WHOLE OR IN PART WITHOUT THE EXPRESS WRITTEN CONSENT OF YASKAWA AMERICA, INC. | | | TECH: J. CAIRO | DATE: 12-19-10 | SIZE: A | REVISION: R00 | PAGE: 2 of 3 |
| | | | APPROVED: T. SASADA | DATE: 12-21-10 | DRAWING #: DD.A1K.FR14.IP00 | | |
| | | | ORIGINAL DESIGN: - | DATE: - | | | |

MINIMUM INSTALLATION CLEARANCES (SCALE 1:15)



PANEL CUTOUT FOR EXTERNAL HEATSINK MOUNTING CONFIGURATION (SCALE 1:20)



NOTE:
EXPOSED HEATSINK DEPTH
D=5.91" MINUS PANEL THICKNESS

FOR ADDITIONAL DETAILS AND SPECIFICATIONS, CONSULT MANUAL

| | | | | | |
|---------------------------------------|-------------------|---|---------------------------|-------------------|---|
| TOLERANCES / REFERENCES: | | <p>YASKAWA</p> <p>THIS DOCUMENT AND INFORMATION CONTAINED IN IT ARE CONFIDENTIAL, AND CANNOT BE COPIED OR DISCLOSED IN WHOLE OR IN PART WITHOUT THE EXPRESS WRITTEN CONSENT OF YASKAWA AMERICA, INC.</p> | DRAWN: J. MATTAS | DATE: 10-12-10 | TITLE: A1000 DIMENSION DRAWING FRAME SIZE 14 IP00 ENCLOSURE 4A0515 AND 4A0675 |
| | | | CHECKED: J. PIOTROWSKI | DATE: 12-14-10 | |
| | | | TECH: J. CAIRO | DATE: 12-19-10 | |
| | | | APPROVED: T. SASADA | DATE: 12-21-10 | |
| UNITS: IN [mm] | SCALE: BY VIEW | ORIGINAL DESIGN: | - | DATE: | - |
| | | | SIZE: A | REVISION: R00 | PAGE: 3 of 3 |
| DRAWING #: DD.A1K.FR14.IP00 | | | | | |